

GROVE

STANDHEIZUNG
ENGINE - INDEPENDENT HEATING SYSTEM

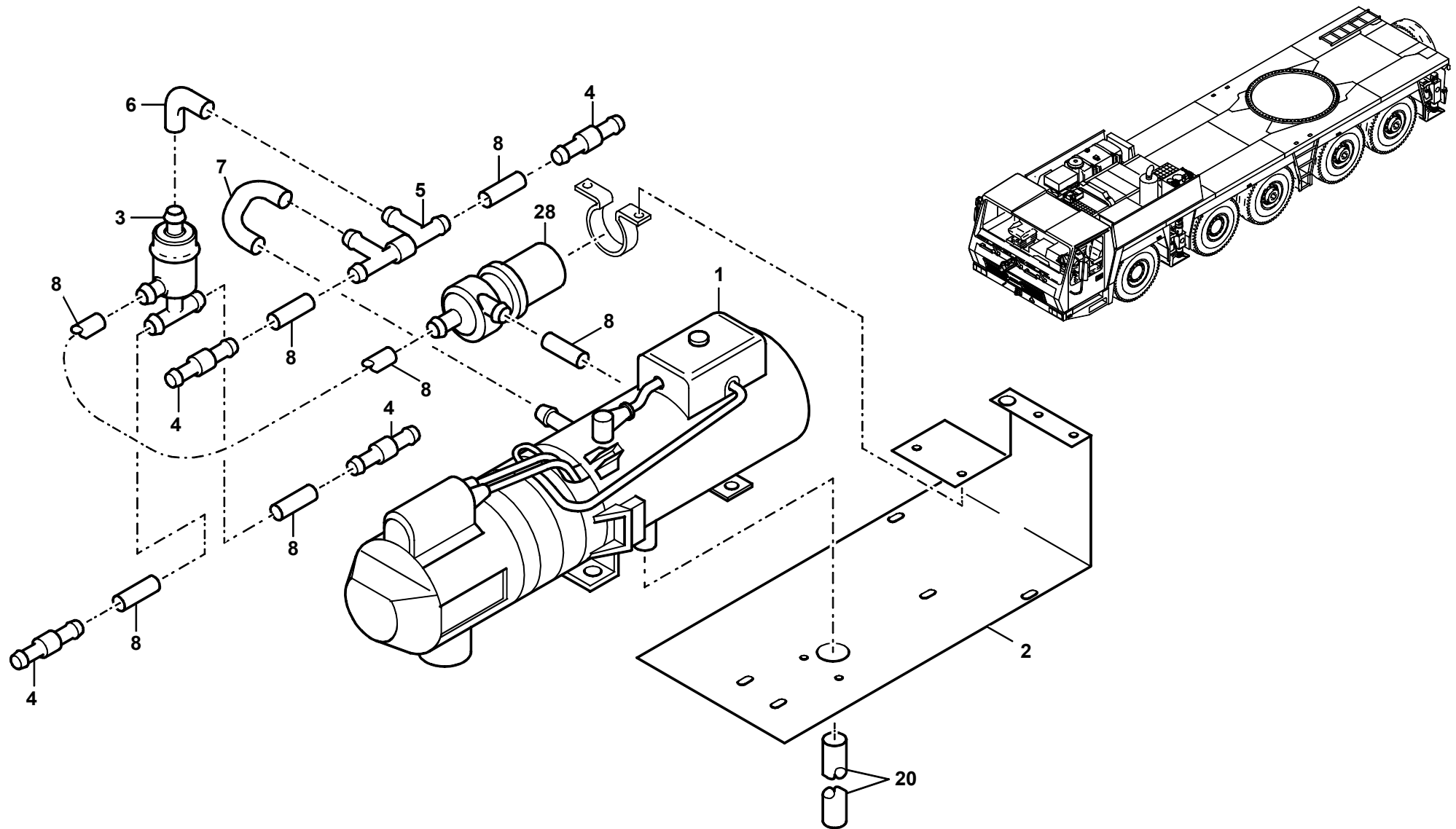
BILDTAFEL
PICTORIAL DISPLAY

06.02

2227011-ETL B

1/2

GMK 5100
BE 752
G 291



GROVESTANDHEIZUNG
ENGINE - INDEPENDENT HEATING SYSTEMBILDTAFEL
PICTORIAL DISPLAY

06.02

2227011-ETL B

2/2

GMK 5100
BE 752
G 291